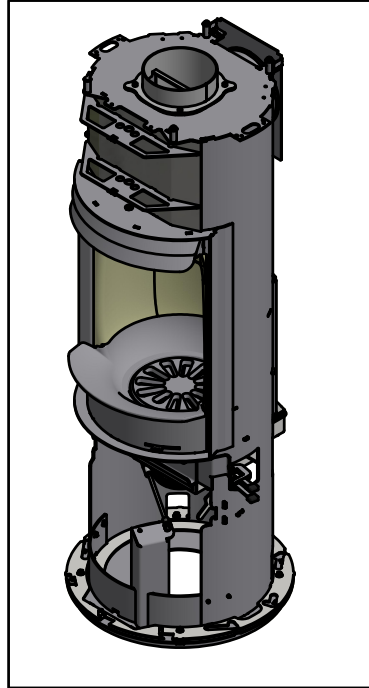


# Spare parts: Scan 84, Modern

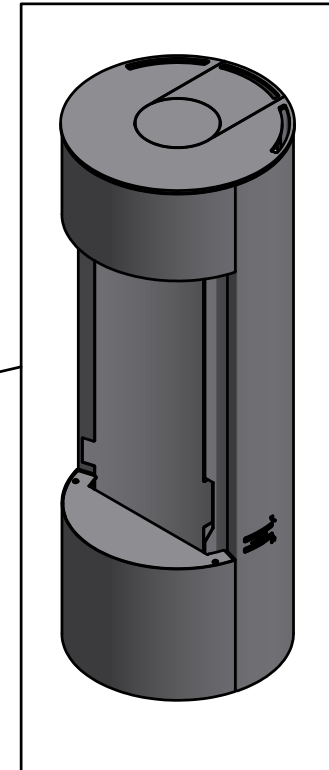
Korpus

Page: 2-7

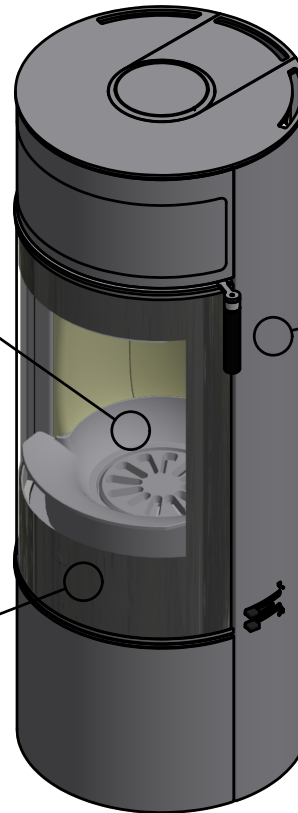
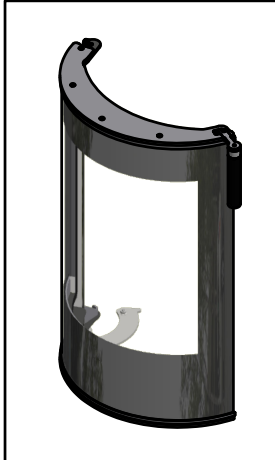


Mantle

Page: 9

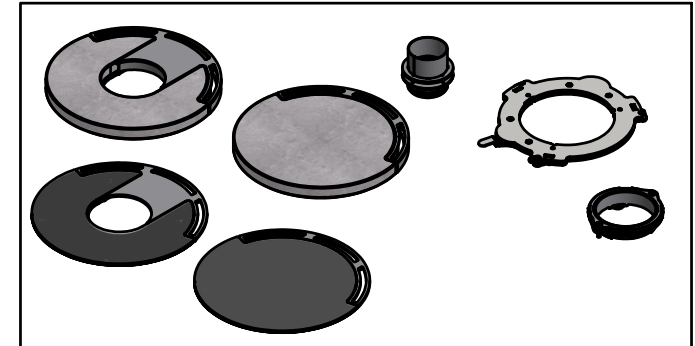


Modern door Page: 8



Accessories

Page: 10-11



Date: 29-09-2021

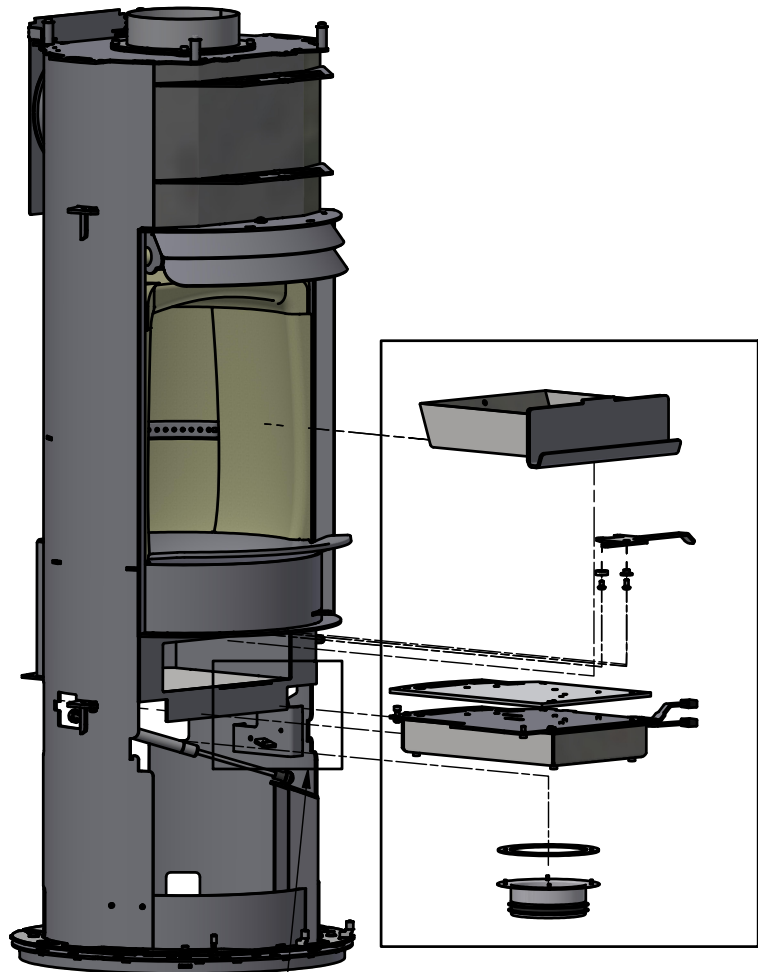
Constructed /Changed by: rin/sr

Drawing number: 90184101

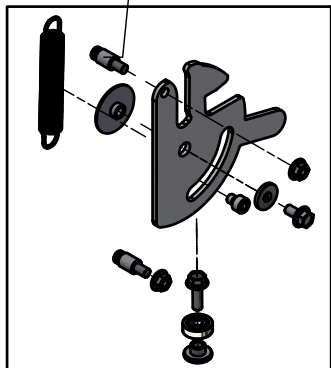
**SCAN A/S**  
DK-5492 Vissenbjerg©



# Spare parts: Scan 84, Modern

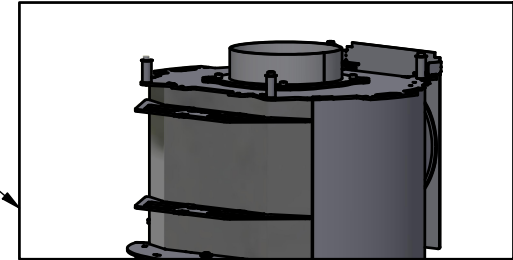


Page 3

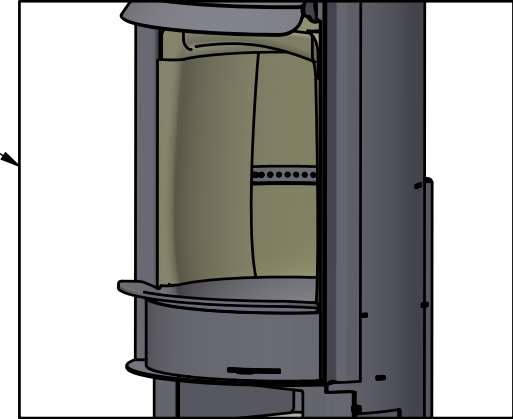


Page 4

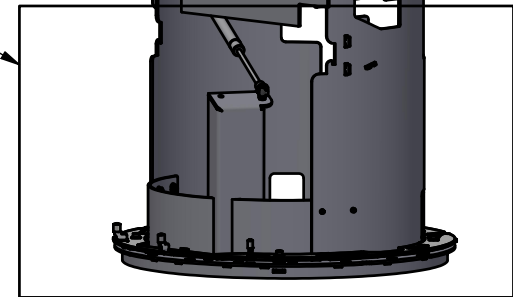
Page 5



Page 6



Page 7

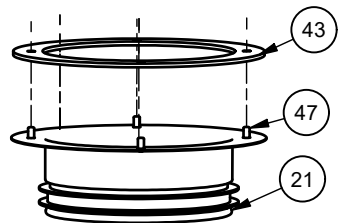
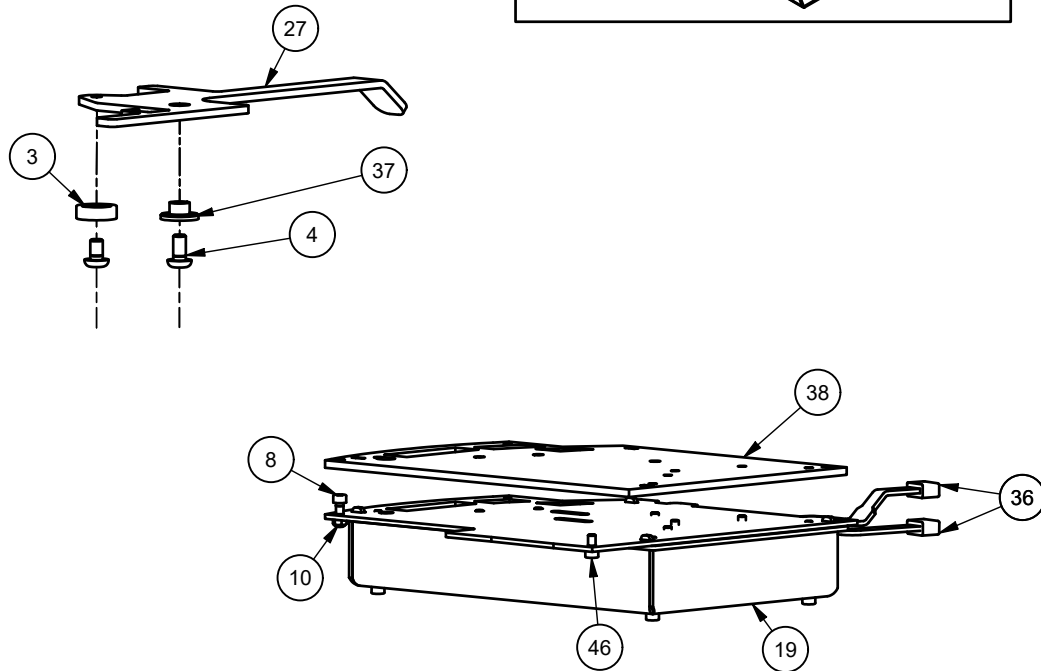
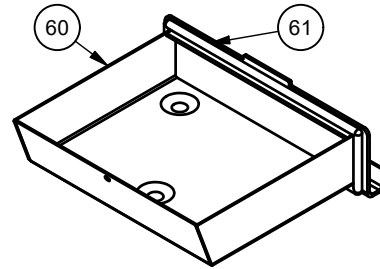


Date: 29-09-2021	Constructed /Changed by: rin/sr	<b>SCAN A/S</b> DK-5492 Vissenbjerg©
Drawing number: 90184101		

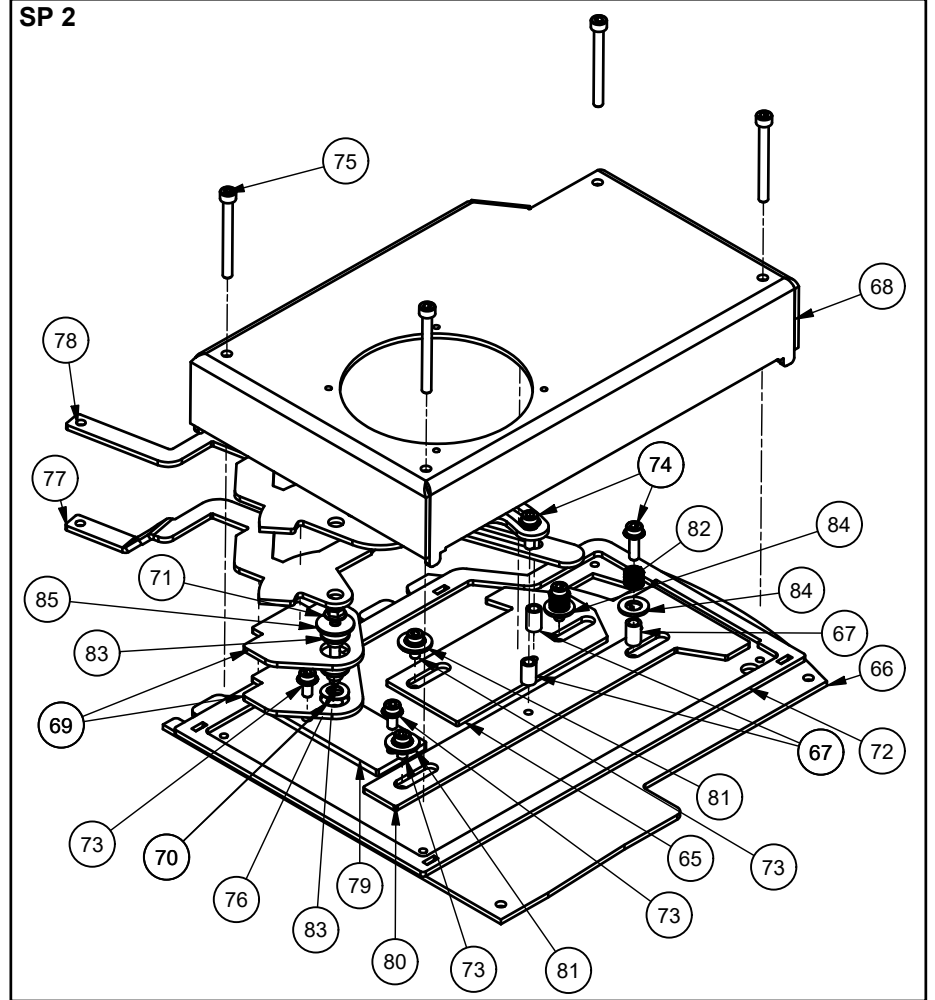


# Spare parts: Scan 84, Modern

SP 1



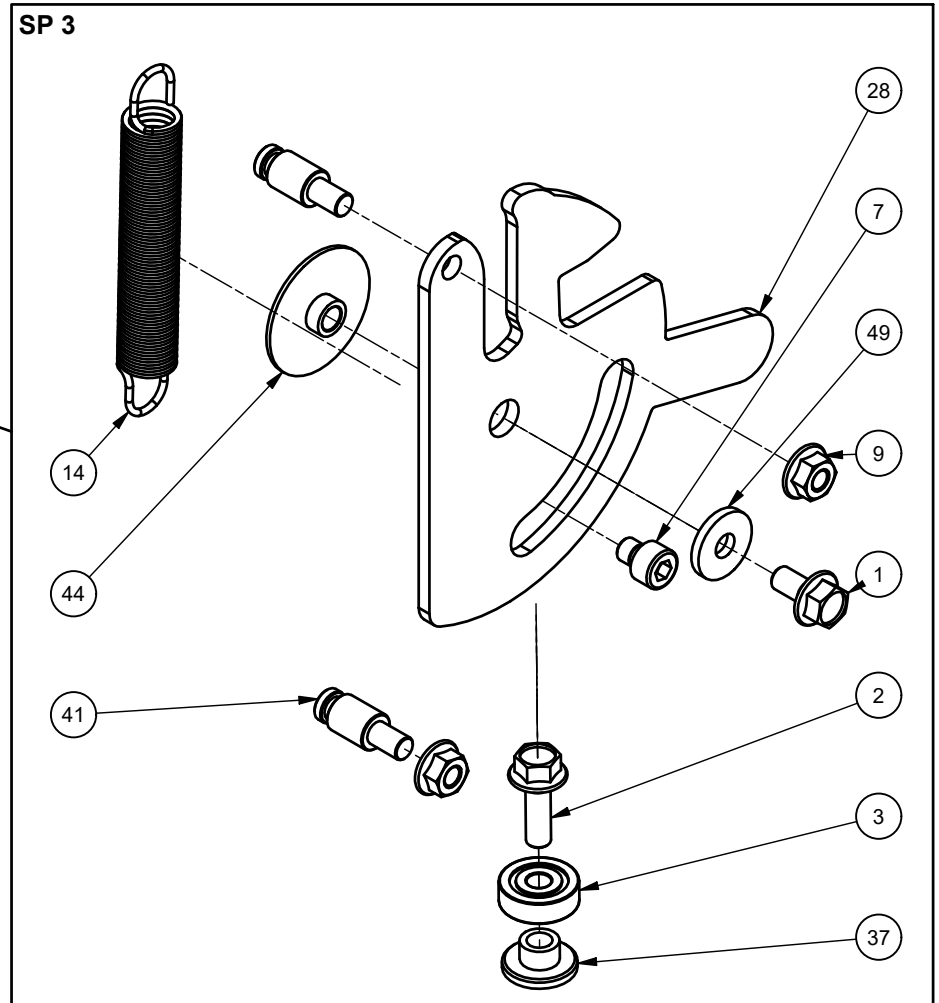
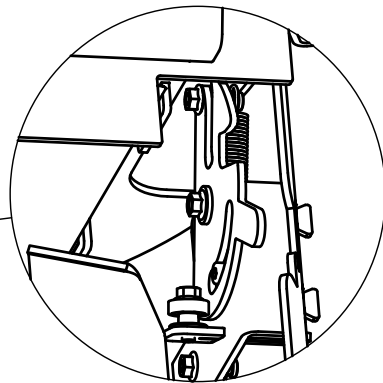
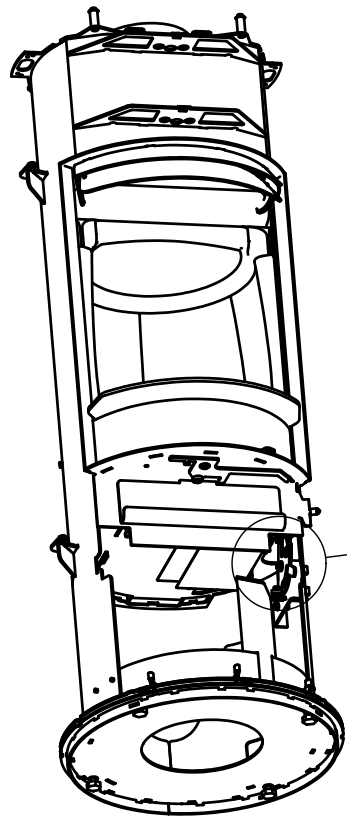
SP 2



Date: 29-09-2021	Constructed /Changed by: rin/sr
Drawing number: 90184101	

**SCAN A/S**  
DK-5492 Vissenbjerg©

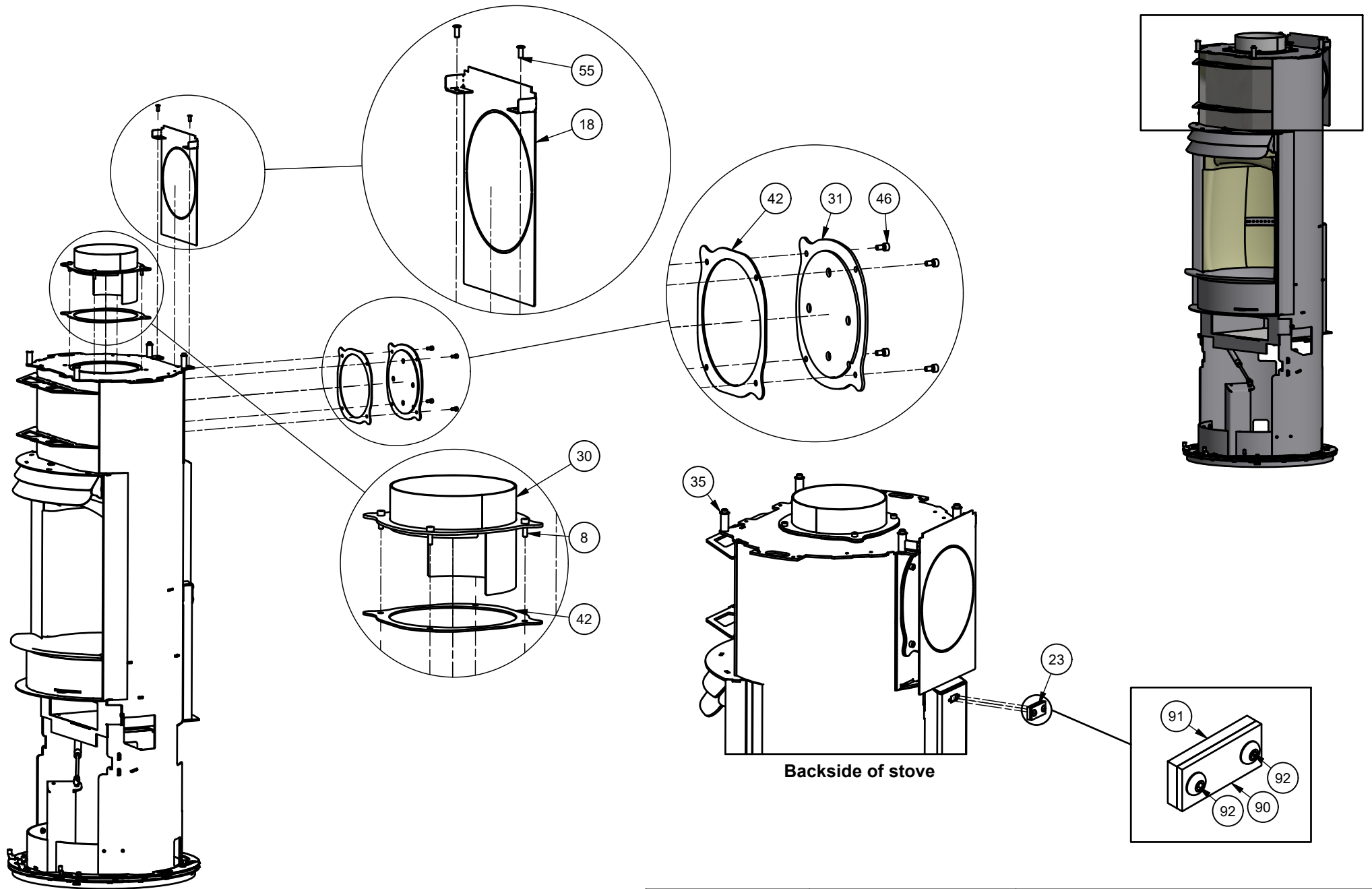





Date: 29-09-2021	Constructed /Changed by: rin/sr	<b>SCAN A/S</b> DK-5492 Vissenbjerg©
Drawing number: 90184101		



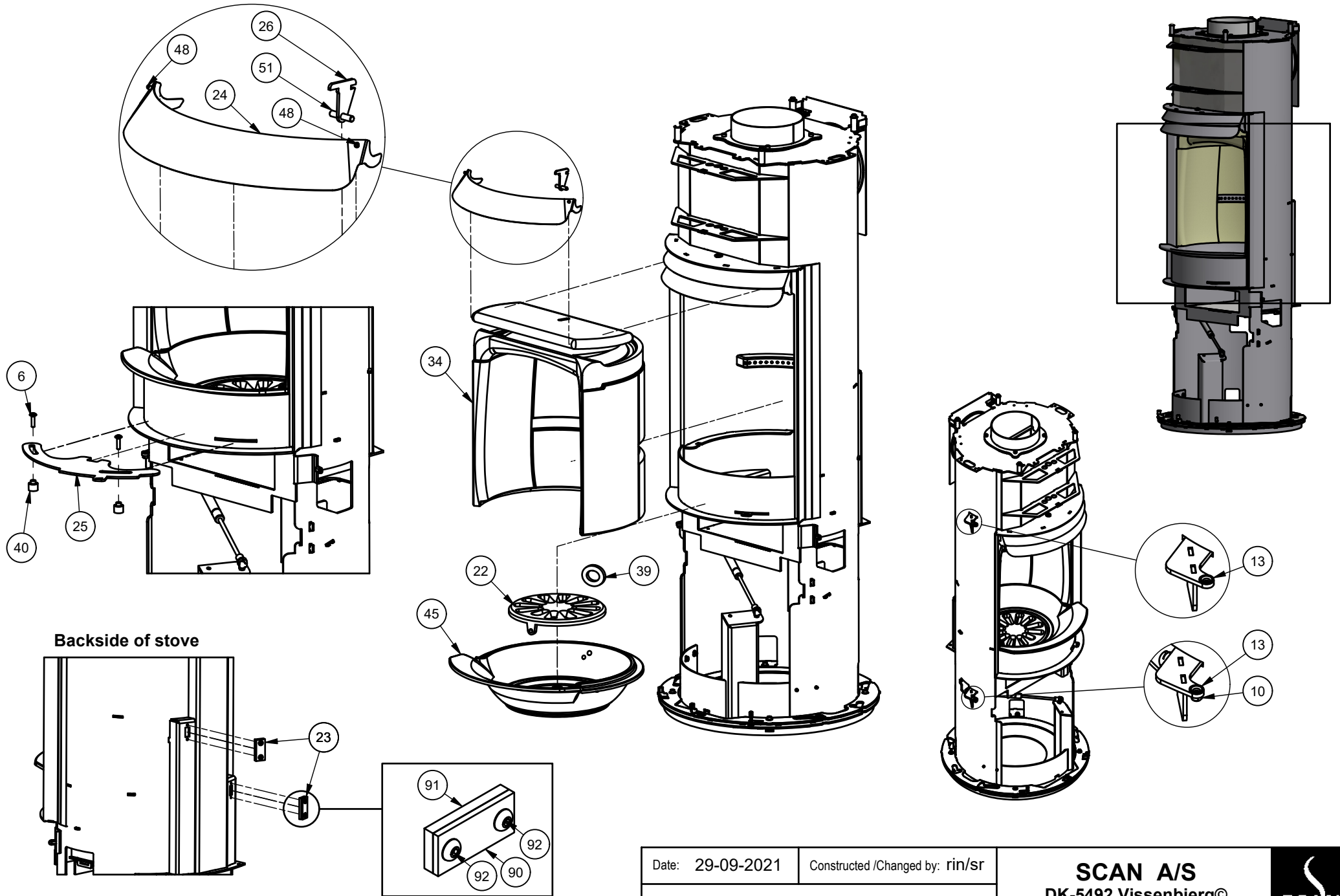
# Spare parts: Scan 84, Modern




Backside of stove

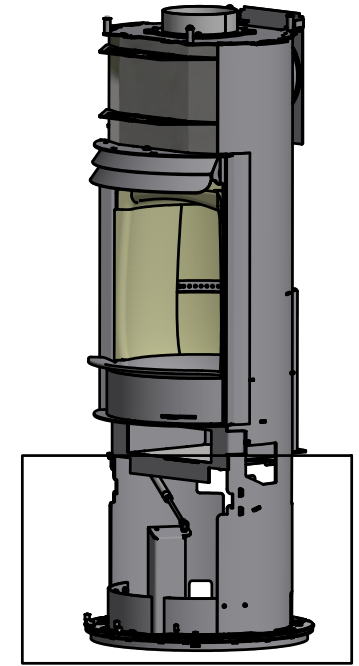
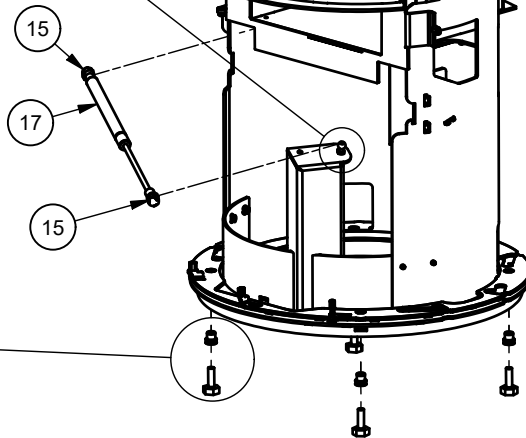
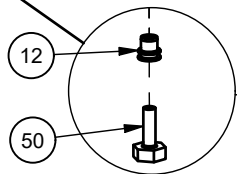
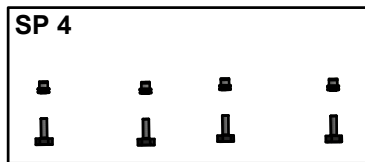
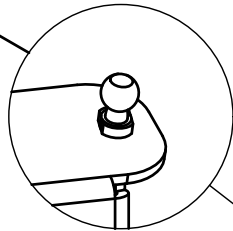
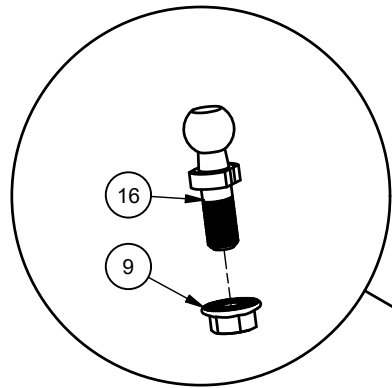
Date: 29-09-2021	Constructed /Changed by: rin/sr	<b>SCAN A/S</b> DK-5492 Vissenbjerg©	
Drawing number: 90184101			

# Spare parts: Scan 84, Modern



Date: 29-09-2021	Constructed /Changed by: rin/sr	<b>SCAN A/S</b> DK-5492 Vissenbjerg©	
Drawing number: 90184101			

# Spare parts: Scan 84, Modern

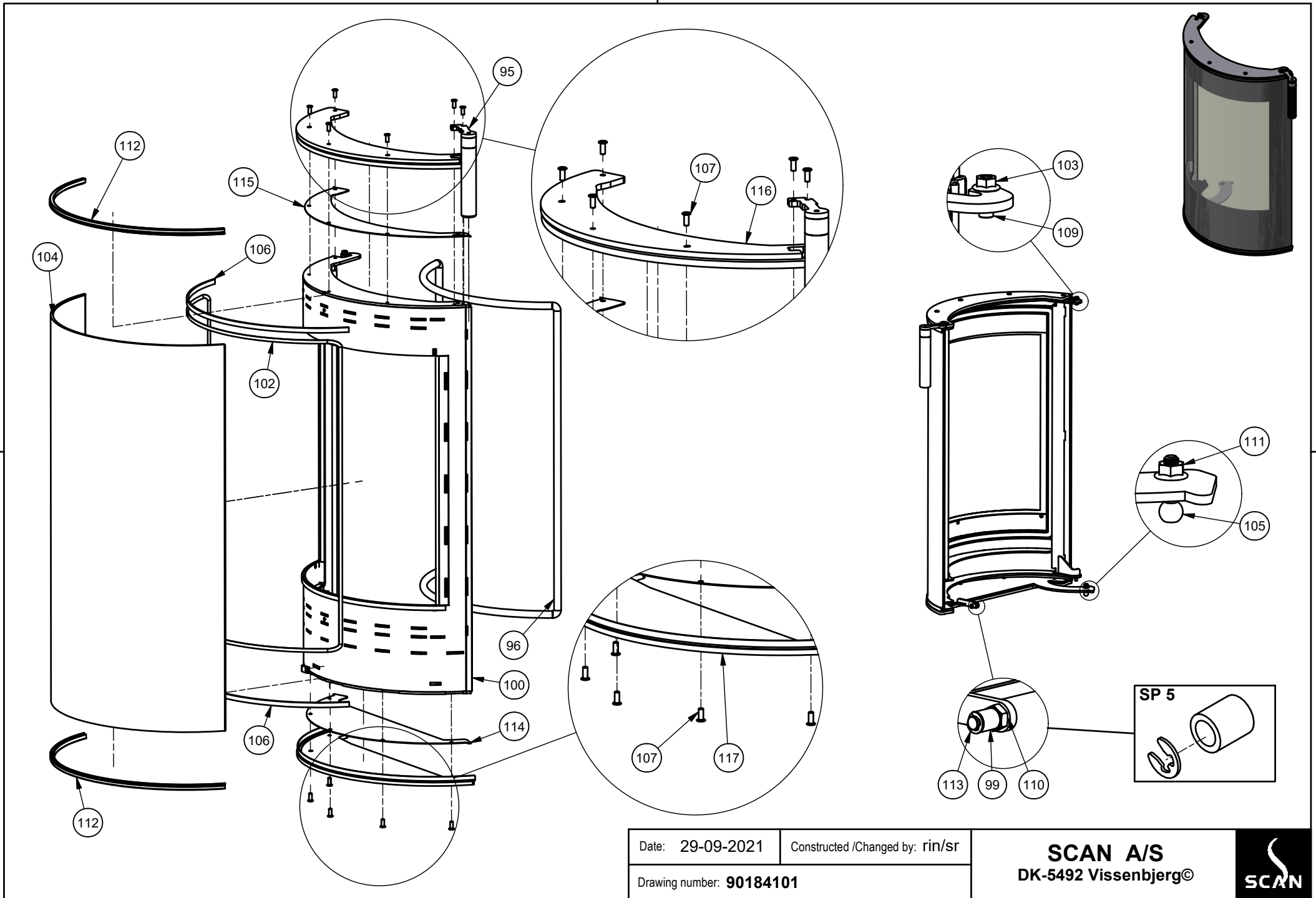


Date: 29-09-2021	Constructed /Changed by: rin/sr
Drawing number: 90184101	

**SCAN A/S**  
DK-5492 Vissenbjerg©



# Spare parts: Scan 84, Modern



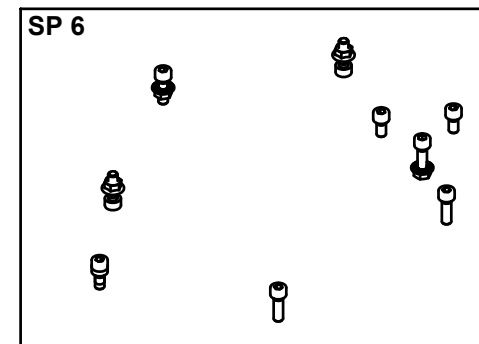
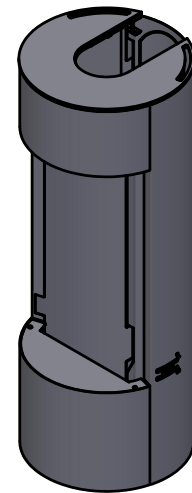
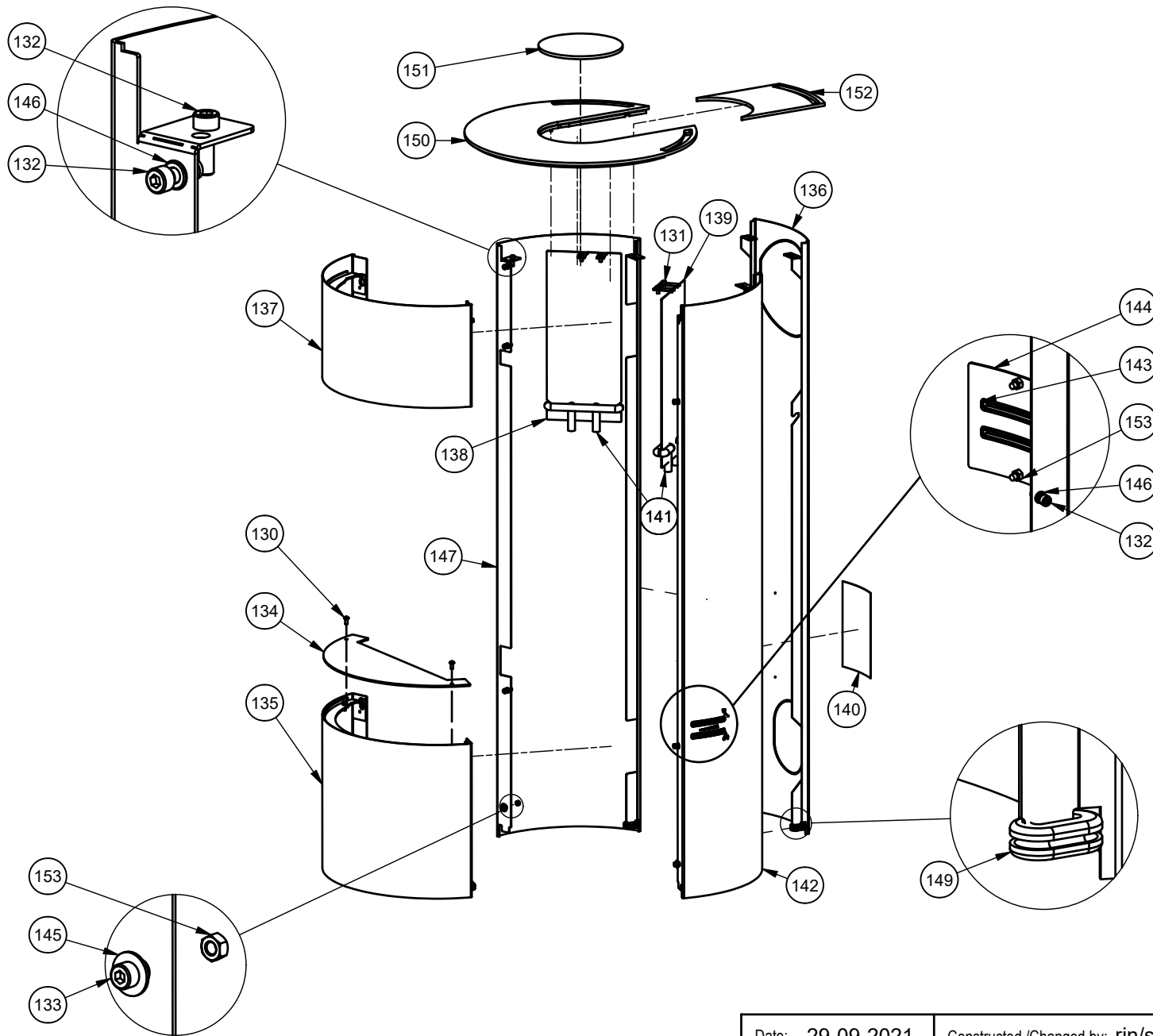
Date: 29-09-2021	Constructed /Changed by: rin/sr
Drawing number: 90184101	

**SCAN A/S**  
 DK-5492 Vissenbjerg©





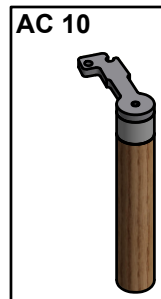
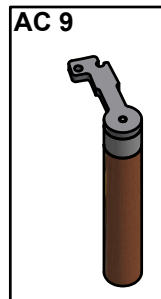
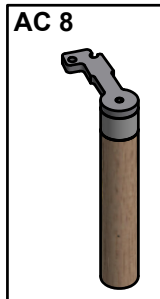
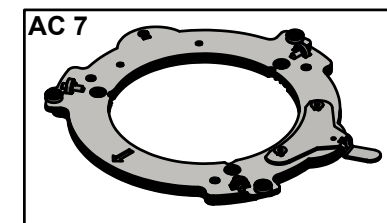
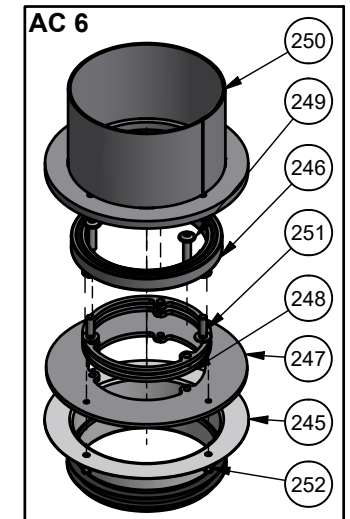
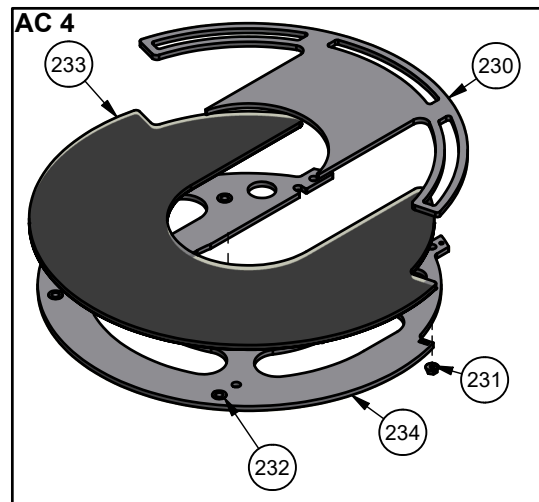
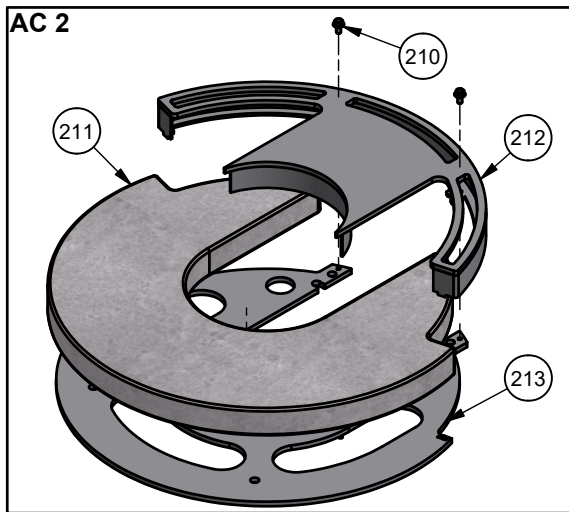
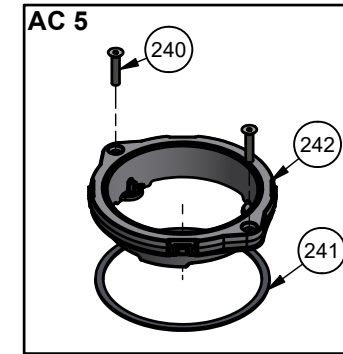
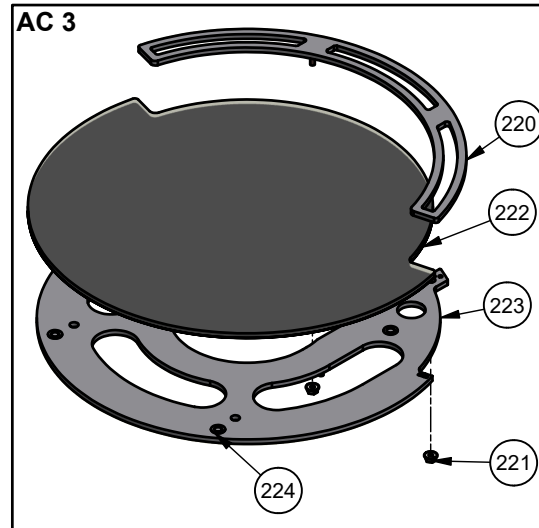
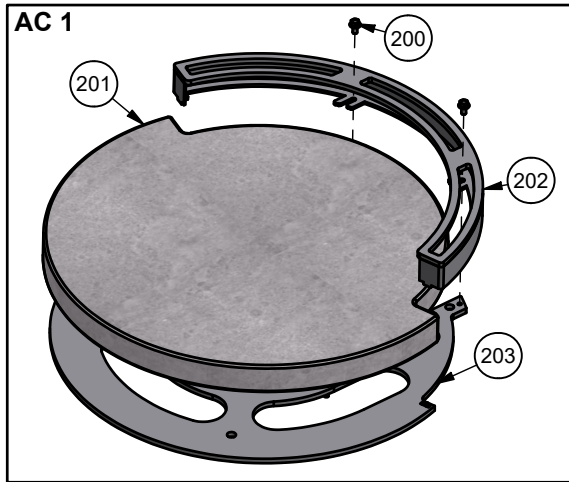
# Spare parts: Scan 84, Modern



Date: 29-09-2021	Constructed /Changed by: rin/sr
Drawing number: 90184101	

**SCAN A/S**  
DK-5492 Vissenbjerg©



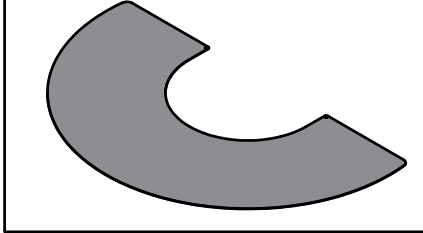


Date: 29-09-2021	Constructed /Changed by: rin/sr
Drawing number: 90184101	

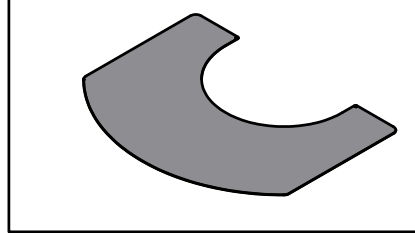
**SCAN A/S**  
DK-5492 Vissenbjerg©



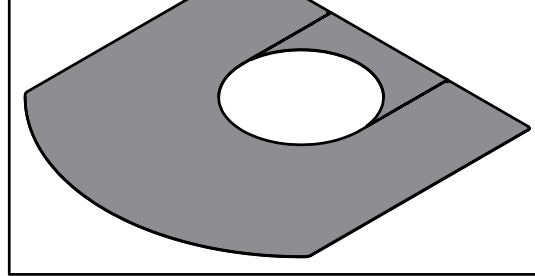
AC 11



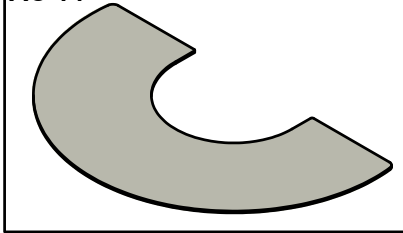
AC 12



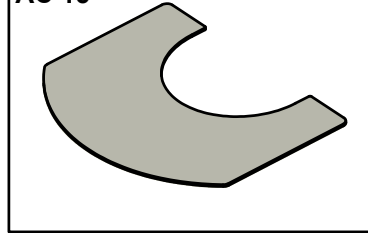
AC 13



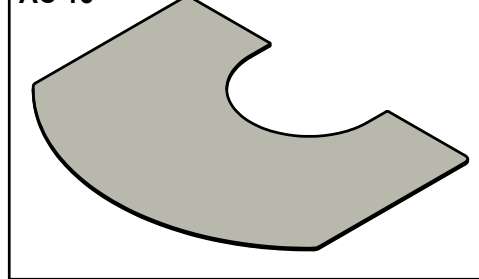
AC 14



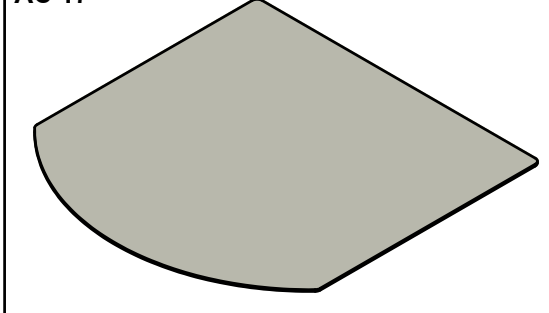
AC 15



AC 16



AC 17



Date: 29-09-2021

Constructed /Changed by: rin/sr

Drawing number: 90184101

**SCAN A/S**  
DK-5492 Vissenbjerg©



# Spare parts: Scan 84, Modern

## Korpus Scan 84-1/2

POS	M3 NO.	SALES NO.	DESCRIPTION	QTY
1			Hex head screw with flange, M5 x 10, black	1
2			Hex head screw with flange, M5 x 16, black	1
3	10007726		Bearing, SKF 625 - 2Z/C3 (ø16xø5x5mm)	2
4	10004783		Hex socket button head, M5 x 10	1
5	10004791		Hex socket button head, M5 x 8 (quality 10.9)	1
6	10004798		Hex socket button head w. flange, M5 x 20	2
7	10004805		Hex socket head cap, M5 x 6	1
8	10004838		Hex socket head cap, M5 x 16, black	5
9	10004953		Flangenut w. ripp M5 (DIN 6923)	3
10	10007642		Lock nut M5, metal	2
11	10004954		Fjederskive, buet, HFC 1245	1
12	10045630		Popnut M8 (for sheet thickness 3,0 - 5,5 mm)	4
13	10004960		Flangebushing LEPCMF 06084 B	2
14		51046818	Spring ( SF-DF-3438-Lesjofors )	1
15	10046005		Ball head M6, Ø10 (item nr. 4597)	2
16		51046819	Gasdamper attachment	1
17		51046818	Gas spring SC 83/84	1
18	12061031		Heat shield	1
19	10060387		Closed combustion box	1
20	10059985		Combustion chamber, assembly	1
21	10003146		ø100 Sleeve w/ flange.type ilu (99050023)	1
22		51005837	Riddling grate, upper part, drilled	1
23			Cover plate for cleaning the burnchamber	3
24	10046446		Heat shield for air lib	1
25	10059730		Handle for riddling grate	1
26		51046847	Support piece for baffle plate	1
27	10058191		Closing lever for ash drawer	1
28	10058190		Locking device for door (dolphin)	1
29		51046852	Ash drawer	1
30		51046851	Conneting piece, welded	2
31		51046855	Cover for flue outlet	2
32	12054891		Connecting piece for tube inside. SC 83	1
33	20061015		Silicone tube Ø8/Ø4*11	1
34		51046796	Burnchamber vermaculite	1
35	10059983		Silicone washer Ø15 x 8,5 x 0,5	4

Date: 29-09-2021

Constructed /Changed by: rin/sr

Drawing number: 90184101

**SCAN A/S**  
DK-5492 Vissenbjerg©



## Spare parts: Scan 84, Modern

POS	M3 NO.	SALES NO.	DESCRIPTION	QTY
36	10059982	51061421	silicone button for damper (SH60)	2
37	10004626		Valve holder (center) Ø8/15x4,5	2
38	10045966		Gasket for combustion box, ceramic paper	1
39		51046914	Gasket for cast iron button	1
40	10045475		Bushing, handle for riddling grate	2
41	10046276		Pin for closingspring	2
42		51046849	Gasket for connectingpiece	2
43	10046125		Gasket for fresh air adapter	1
44	10046273		Washer for dolphin lock	1
45		51046797	Castiron button	1
46	10004816		Hex socket head cap, M5 x 10, black	9
47	10007617		Poprivet M3,2 x 7,9	4
48	10007632		Poprivet ø4 x 8 stainless steel	2
49	10007709		Washer, M5, wo. fazet FZB	1
50	10045969		Adjustment screw 19x19 - M8 x 30	4
51	10045971		Cylinder pin ø6*30, stainless steel, A2	1
52	12059474		ECO-Label, Scan 84	1
53	12060996		ECO-Label, Scan 84 UK	1
54	20046598		Silicone tube Ø8/Ø4*11	3
55	10059742		Hex socket flat head, M5 x 12, black	2

### SP 1: Ash drawer: 51046852

60	10058189		Welded ash tray	1
61	10004744		Black knitted glass rope, ø8	1

### SP 2: Closed combustion box: 51061491

65			Attachment for primary damper	1
66			Bottomplate for closed combustion box	1
68			Combustion box	1
69	10046122		Damper gasket SC 83	2
70	10004954		Bushing spring, supported valve, HFC 1245	2
72	10046123		Gasket for closed combustion box	1
75	10007710		Hex socket head cap, M5 x 50, FZB (DIN 912)	4
77			Primary damper	1
78			Secondary damper	1
79			Spacer for primary damper	1
80			Spacer for secondary damper	1
81	10004627		Spacer washer Ø8/18x3,3	2
83	10004626		Valve holder (center) Ø8/15x4,5	2

Date: 29-09-2021

Constructed /Changed by: rin/sr

Drawing number: 90184101

**SCAN A/S**  
DK-5492 Vissenbjerg®



## Spare parts: Scan 84, Modern

POS	M3 NO.	SALES NO.	DESCRIPTION	QTY
67	10038025		Bushing for springloaded damper Ø7,9x12,5	4
71	10004953		Flangenut w. ripp M5 (DIN 6923)	1
73	10049333		Hex socket head cap w. flange, M5 x 10, black	4
74	10049335		Hex socket head cap w. flange, M5 x 16, black	4
76	10046398		Pinol M5 x 25 (DIN 551/BN 427)	1
82	10038031		Spring for damper (Di=8,3 - Lo=12 - Dt=1)	2
84	10008004		Washer Ø8/Ø16*1.5 (DIN 125 A)	2
85	10046397		Washer ø5,3/20 x 1,5 (HV140)	1

### SP 3: Spare part kit, Locking mechanism: 51061261

#### Cover plate

POS	M3 NO.	STOCK NUMBER	DESCRIPTION	QTY
90	10058090		Cover plate	1
91	12055192		Gasket to cover plate	1
92	10004791		Hex socket button head, M5 x 8 (quality 10.9)	2

### SP 4: Spare part kit, Set with 4 screws: 51046856

#### Modern door - Spare part: 51061466

POS	M3 NR.	STOCK NUMBER	DESCRIPTION	STK
98	10046274		Bottom hinge pin for door	1
99	10038034		Bronze bushing, Ø6/Ø9*10	1
100	10059988		Door, welded (modern)	1
103	10004953		Flangenut w. ripp M5 (DIN 6923)	2
104	10059746		Frontglass	1
105		51046819	Gasdamper attachment	1
107	10059742		Hex socket flat head, M5 x 12, black	11
109	10043926		Hinge pin for door	1
110	10046272		Locking pin for door	1
111	10007639		M6 FL.nut Din 6923 galvanized Steel 8	1
112	10051950		Silicone gasket for front glass	2
113	10038086		Snap ring, DIN 6799 - Ø4 from magasin	1
115	12061028		support plate door top	1
116	12061027		welded bolt for glass handle top	1
117	12061025		welded glass holder botton	1

Date: 29-09-2021

Constructed /Changed by: rin/sr

Drawing number: 90184101

**SCAN A/S**  
DK-5492 Vissenbjerg©



## Spare parts: Scan 84, Modern

POS	M3 NR.	STOCK NUMBER	DESCRIPTION	STK
95		51061380	Assembly for wood handle, black	1
96	10043740		Black cord Ø14 ( hard )	1
97	10038105		black silicone 320gr	1
101	10048732		Fiberglass robe w. tape Ø8	1
102	10047432		Fiberglass rope Ø6 w tape	1
106	10007913		Glass gasket w. glue, 8x3mm, black	2
108	10004799		Hex socket set screws M5 x 5 (DIN 913)	1
114	12061038		support plate door bottom	1

### SP 5: Spare part kit, Locking pin for door: 51049129

#### Mantle

POS	M3 NO.	SALES NO.	DESCRIPTION	QTY
130	10004801		Hex socket button head, M5 x 12, ISO 7380-1 steel 010.9	2
131	10004816		Hex socket head cap, M5 x 10, black	4
132	10004838		Hex socket head cap, M5 x 16, black	8
133	10004812		Hex socket head cap, M5 x 12	4
134		51046799	Cover plate for lower front mantle	1
135		51061422	Lower front cover, assembly, BP	1
135		51061423	Lower front cover, assembly, GP	1
135		51061424	Lower front cover, assembly, GWH	1
136	12061043	51061437	Back cover plate, low model, BP	1
136		51061438	Back cover plate, low model, GP	1
136		51061439	Back cover plate, low model,GWH	1
137		51061428	front mantle top,BP	1
137		51061429	front mantle top, GP	1
137		51061430	front mantle top,GWH	1
138	12061030		Heat shield left	1
139	12061029		Heat shield right	1
140	12059473		Approval label, Scan 84	1
141	10043740		Glass gasket ø14 (hard), black	2
142	12061049	51061449	Right cover plate, low model welded, BP	1
142		51061450	Right cover plate, low model welded, GP	1
142		51061451	Right cover plate, low model welded, GHW	1
143	10059981	51061420	Insert for damperhandles	1
144	12061039		holds plate for plastic insert	1
145	10060929		Bushing for front cover bottom	2
146	10046280		Popnut M5x12,3	6

Date: 29-09-2021

Constructed /Changed by: rin/sr

Drawing number: 90184101

**SCAN A/S**  
DK-5492 Vissenbjerg©



## Spare parts: Scan 84, Modern

POS	M3 NO.	SALES NO.	DESCRIPTION	QTY
147	12061040	51061446	Left cover plate, BP	1
147		51061447	Left cover plate, GP	1
147		51061448	Left cover plate, GWH	1
148	10059985		Combustion chamber, assembly	1
149	10045985		Rubber grommet 19/27/33/3	4
150	12061050	51061452	Welded parts for top plate, BP	1
150		51061453	Welded parts for top plate, GP	1
150		51061454	Welded parts for top plate, GWH	1
151	12061047	51061455	Assembly, top cover for stove w. rear outlet, BP	1
151		51061456	Assembly, top cover for stove w. rear outlet, GP	1
151		51061457	Assembly, top cover for stove w. rear outlet, GWH	1
152	12061048	51061458	Cover plate, BP	1
152		51061459	Cover plate, GP	1
152		51061460	Cover plate, GWH	1
153	10007642		Lock nut M5, metal	4

**SP 6: Spare part kit, Sparepart kit Screws bolts: 51061518**

Date: 29-09-2021

Constructed /Changed by: rin/sr

Drawing number: 90184101

**SCAN A/S**  
DK-5492 Vissenbjerg©





**AC 1: Compl. Top for soapstone rear: 51061131 BLACK PAINT**  
**Compl. Top for soapstone rear: 51061499 GRAY PAINT**  
**Compl. Top for soapstone rear: 51061500 WHITE PAINT**

POS	M3 NO.	SALES NO.	DESCRIPTION	DATE	QTY
200	10004753		Hex head screw with flange, M5 x 10, black	19-01-2021	2
201	50060392		soapstone top for rear exit	17-12-2020	1
202	12061138		Soapstone top, back exit welded	11-11-2020	1
203	12061135		Underlay plate for top plate, welded	07-04-2021	1

**AC 2: Compl. Top for soapstone top outlet: 51061134 BLACK PAINT**  
**Compl. Top for soapstone top outlet: 51061505 GRAY PAINT**  
**Compl. Top for soapstone top outlet: 51061506 WHITE PAINT**

POS	M3 NO.	SALES NO.	DESCRIPTION	DATE	QTY
210	10004753		Hex head screw with flange, M5 x 10, black	19-01-2021	2
211	50060391		soapstone top	17-12-2020	1
212	12061139		Soapstone top, top exit welded	07-04-2021	1
213	12061135		Underlay plate for top plate, welded	07-04-2021	1

**AC 3: Compl. Topplate for glass rear: 51061132 BLACK PAINT**  
**Compl. Topplate for glass rear: 51061501 GRAY PAINT**  
**Compl. Topplate for glass rear: 51061502 WHITE PAINT**

POS	M3 NO.	SALES NO.	DESCRIPTION	DATE	QTY
220	12061137		bolt welded top, back exit	07-04-2021	1
221	10007639		M6 FL.nut Din 6923 galvanized Steel 8	16-11-2016	2
222	10059991		W.glass rear top	07-04-2021	1
223	12061135		Underlay plate for top plate, welded	07-04-2021	1
224	10059983		Silicone washer Ø15 x 8,5 x 0,5	07-06-2021	4

**AC 4: Compl. Topplate for glass top outlet: 51061133 BLACK PAINT**  
**Compl. Topplate for glass top outlet: 51061503 GRAY PAINT**  
**Compl. Topplate for glass top outlet: 51061504 WHITE PAINT**

POS	M3 NO.	SALES NO.	DESCRIPTION	DATE	QTY
230	12061136		bolt welded top exit plate	07-04-2021	1
231	10007639		M6 FL.nut Din 6923 galvanized Steel 8	16-11-2016	2
232	10059983		Silicone washer Ø15 x 8,5 x 0,5	07-06-2021	4
233	10059992		Top plate glass	17-12-2020	1
234	12061135		Underlay plate for top plate, welded	07-04-2021	1

Date: 29-09-2021

Constructed /Changed by: rin/sr

Drawing number: 90184101

**SCAN A/S**  
DK-5492 Vissenbjerg©



**AC 5: Top for revolving base: 51045366**

POS	M3 NO.	SALES NO.	DESCRIPTION	DATE	QTY
240	10023497		Hex socket flat countersunk head screw, M8x40	27-02-2008	2
241	10025214		ROPE LD-250-2 GRAPH. W/ADHESIVE	11-03-2021	1
242			Top for revolving base	11-03-2021	1

**AC 6: Fresh air adapter: 51061392**

POS	M3 NO.	SALES NO.	DESCRIPTION	DATE	QTY
245	10003146		ø100 Sleeve w/ flange.type ilu (99050023)	23-02-2017	1
246	10061112		Deep groove ball bearings single row with two low-friction seals SKF	09-03-2021	1
247			Connector piece for second fresh air sleeve	01-09-2020	1
248			Distance ring for fresh air adapter	11-11-2020	2
249	10004798		Hex socket button head w. flange, M5 x 20	20-01-2021	3
250			Welded parts for fresh air adapter	01-09-2020	1
251	10004835		Hex socket button head w. flange, M5 x 16	01-06-2021	4
252	10007617		Poprivet M3,2 x 7,9	05-11-2001	4

<b>AC 7:</b>	<b>Revolving plate</b>	<b>51046363</b>
<b>AC 8:</b>	<b>Wood handle, white oak</b>	<b>51061103</b>
<b>AC 9:</b>	<b>Wood handle, mocca oak</b>	<b>51061104</b>
<b>AC 10:</b>	<b>Wood handle, golden oak</b>	<b>51061105</b>
<b>AC 11:</b>	<b>Small shaped floor plate, steel</b>	<b>51046364</b>
<b>AC 12:</b>	<b>Small shaped floor plate, corner, steel</b>	<b>51046365</b>
<b>AC 13:</b>	<b>Large floor plate, steel</b>	<b>51046366</b>
<b>AC 14:</b>	<b>Small shaped floor plate, glass</b>	<b>50046311</b>
<b>AC 15:</b>	<b>Small shaped floor plate, corner, glass</b>	<b>50046315</b>
<b>AC 16:</b>	<b>Large shaped floor plate, glass</b>	<b>50046313</b>
<b>AC 17:</b>	<b>Large floor plate, glass</b>	<b>50046312</b>

Date: 29-09-2021

Constructed /Changed by: rin/sr

Drawing number: 90184101

**SCAN A/S**  
DK-5492 Vissenbjerg©

